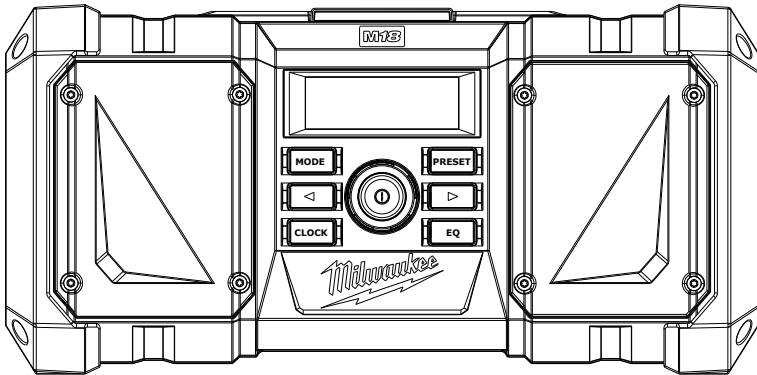




OPERATOR'S MANUAL

**Cat. No.
M18 JSR**



M18™ Jobsite Radio

TO REDUCE THE RISK OF INJURY, USER MUST READ AND UNDERSTAND OPERATOR'S MANUAL.

IMPORTANT SAFETY INSTRUCTIONS








 **WARNING READ, UNDERSTAND AND FOLLOW ALL INSTRUCTIONS.** Failure to heed all warnings listed below, may result in electric shock, fire and/or serious personal injury. **KEEP THESE INSTRUCTIONS.**

- Read these instructions.
- Keep these instructions.
- Heed all warnings.
- Follow all instructions.
- Do not use this apparatus near water.
- Clean only with dry cloth.
- Do not block any ventilation openings. Install in accordance with the manufacturer's instructions.
- Do not install near any heat sources such as radiators, heat registers, stoves, or other apparatus (including amplifiers) that produce heat.
- Do not defeat the safety purpose of the polarized or grounding-type plug. A polarized plug has two blades with one wider than the other. A grounding type plug has two blades and a third grounding prong. The wide blade or the third prong are provided for your safety. If the provided plug does not fit into your outlet, consult an electrician for replacement of the obsolete outlet.
- Protect the power cord from being walked on or pinched particularly at plugs, convenience receptacles, and the point where they exit from the apparatus.
- Only use attachments/accessories specified by the manufacturer.
- Unplug this apparatus during lightning storms or when unused for long periods of time.
- Refer all servicing to qualified service personnel. Servicing is required when the apparatus has been damaged in any way, such as power-supply cord or plug is damaged, liquid has been spilled or objects have fallen into the apparatus, the apparatus has been exposed to rain or moisture, does not operate normally, or has been dropped.
- Only plug power supply into readily accessible outlet to allow the appliance to be unplugged quickly.
- Only operate this apparatus in a well ventilated area.
- A battery operated radio with integral batteries or a separate battery pack must be recharged only with the specified charger for the battery. A charger that may be suitable for one type of battery may create a risk of fire when used with another battery.
- Use battery operated radio only with specifically designated battery packs. Use of any other batteries may create a risk of fire.
- When battery pack is not in use, keep it away from other metal objects like: paper clips, coins, keys, nails, screws, or other small metal objects that can make a connection from one terminal to another. Shorting the battery terminals together may cause sparks, burns, or a fire.
- Store your battery pack and charger in a cool, dry place. Do not store battery pack where temperatures may exceed 50°C (120°F) such as direct sunlight, a vehicle or metal building during the summer.
- Avoid body contact with grounded surfaces such as pipes, radiators, ranges and refrigerators. There is an increased risk of electric shock if your body is grounded.
- Do not use any adaptor plugs.
- When operating a radio outside, use an outdoor extension cord marked "W-A" or "W". These cords are rated for outdoor use and reduce the risk of electric shock.
- Never disassemble the radio or try to do any rewiring on the radio's electrical system.
- Do not expose this apparatus to dripping and splashing, or place objects filled with liquids on this unit.

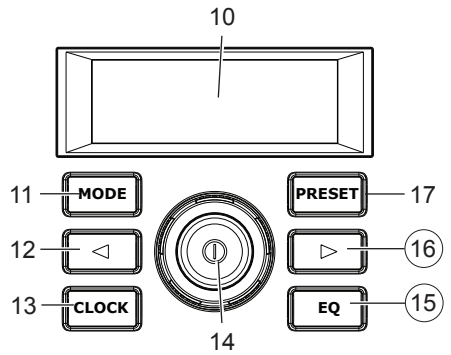
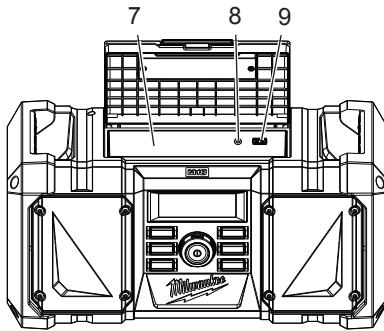
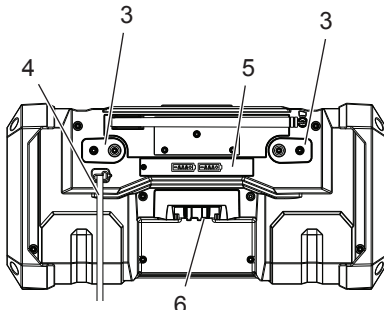
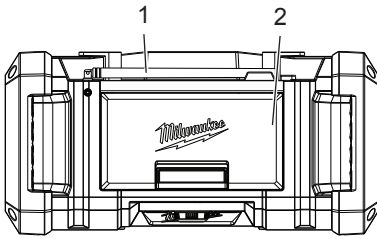
SPECIFIC SAFETY RULES

- Maintain labels and nameplates. These carry important information. If unreadable or missing, contact the store where the product was originally purchased or one of our authorised MILWAUKEE® service centres for a replacement.
- This radio is designed to be powered by a standard 220 - 240 volt AC line or AC generator. It may also be powered using a MILWAUKEE® M18™ battery pack. Do not attempt to use with any other voltage or power supply.

SYMBOLGY

	To reduce the risk of injury, user must read operator's manual.
V	Volts
~	Alternating Current
A	Amps
Hz	Hertz
	Double Insulated
	Presence of important operating instructions.
	Caution. Risk of electric shock.
	Regulatory Compliance Mark (RCM). Product meets applicable regulatory requirements.
	This tool is only suitable for indoor use. Never expose tool to rain.
	Waste electrical products should not be disposed of with household waste. Please recycle where facilities exist. Check with your local authority or retailer for recycling advice.

FUNCTIONAL DESCRIPTION



1. Antenna
2. Auxiliary compartment
3. Cord wrap
4. Cord
5. Backup-battery compartment
6. Battery bay
7. AUX storage
8. Stereo AUX jack
9. USB power outlet
10. Display
11. Mode button
12. Seek/adjust down
13. Clock button
14. On/off / Volume knob
15. EQ button
16. Seek/adjust up
17. Preset button

ASSEMBLY

⚠ WARNING Recharge only with the charger specified for the battery. For specific charging instructions, read the operator's manual supplied with your charger and battery.

Inserting/Removing Battery Pack

Insert the battery pack by sliding it into the battery bay.

To remove the battery pack, depress the two battery lock buttons then pull the battery pack off of the bay.

Low Battery Indicator

When the radio is powered by a battery pack, a low battery indicator will be displayed when the battery pack needs to be charged.

Battery Pack Protection

To protect the life of the battery pack, the radio will shut off when the battery's charge becomes too low. If this happens, remove the battery pack and charge it according to the charger's instructions.

Installing an Auxiliary Device

Open the Auxiliary Compartment to connect an MP3 player, CD player, or other audio device using the stereo auxiliary jack. Small devices (less than 82 mm wide, 184 mm high, and 28 mm thick) can be stored in the compartment during use.

USB Power Outlet

This jack can be used to charge a cell phone, power a CD player or any other device that uses less than 2.1 A of DC electrical current. Function will only occur when the radio is plugged into an outlet, or the radio is on and an M18™ battery pack is inserted. The USB Power Outlet will not function off of a battery pack with the radio off.

NOTE: Any device that uses more than 2.1 A of DC electrical current will trip a self-resetting function and disable the output.

⚠ WARNING Batteries may leak chemicals or may explode if used incorrectly. The following care should be taken to prevent such an incident:

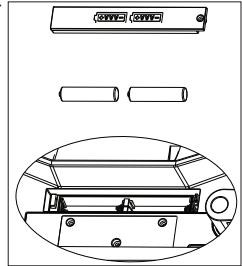
- Make sure the positive (+) and negative (-) battery terminals are positioned correctly.
- Do not mix new and old batteries together, or mix different types of batteries.
- Do not try to recharge non-rechargeable batteries.

If chemicals from the batteries come in contact with your skin, wash them off immediately with water. If chemicals leak onto the radio, clean the radio completely.

Changing Back-up Batteries

To hold station presets and clock time when the battery pack is removed and the radio is unplugged, 2 AAA batteries are required.

1. Remove battery pack and unplug radio.
2. Remove the screw and battery cover.
3. Insert two (2) AAA batteries according to matching positive (+) and negative (-) marks.
4. Replace the battery cover and screw.



OPERATION

⚠ WARNING Always remove battery pack before changing or removing accessories. Only use accessories specifically recommended for this radio. Others may be hazardous.

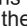

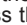

⚠ WARNING To reduce the risk of fire or electric shock, do not expose this radio to rain or moisture.

Turning On/Off and Volume Control

Plug the cord into an appropriate AC outlet or install an M18™ battery pack.

Turn the On/off / Volume  knob to control the power and sound functions.

Setting the Clock

1. Press and hold the CLOCK button until the hour begins to flash.
2. Use the   buttons to change the hour.
3. Press the CLOCK button again. Use the   to change the minutes.
4. Press the CLOCK button again to save.

EQ Adjustment

To manually adjust the Bass/Treble sound, press the EQ button. Set the bass sound using the ◀▶ buttons. Press the EQ button again to set the treble sound, using the ◀▶ buttons.

Selecting Band

Push the MODE button to select AM, FM, or AUX.

Tuning (Seeking and Scanning)

Press and hold the ◀▶ buttons to SEEK through the band. When a station is found, the SEEK will stop. Use the ◀▶ button to continue through the stations, pausing at each.

PRESET Stations

To **set** the PRESET stations:

1. Tune to desired station.
2. Press and hold the PRESET button until the PRESET indicator on the display begins to flash.
3. Use the ◀▶ buttons to select the PRESET location for the station. Five locations (1-5) are available.
4. Press the PRESET button to save the location.


To **tune** to a PRESET station:

Press and release the PRESET button to step through the PRESET stations.

Using the Stereo AUX Jack


1. Open the Auxiliary Compartment.
2. Plug the auxiliary device into the Stereo AUX jack.
3. Use the MODE button to select AUX.
4. Start the auxiliary device.

MAINTENANCE

 **WARNING** To reduce the risk of injury, always unplug the charger and remove the battery pack from the charger or tool before performing any maintenance. Never disassemble the tool, battery pack or charger. Contact the store where the product was originally purchased or one of our authorised MILWAUKEE® service centres for ALL repairs.

Maintaining Tool

Keep your tool, battery pack and charger in good repair by adopting a regular maintenance program. If the tool does not start or operate at full power with a fully charged battery pack, clean the contacts on the battery pack. If the tool still does not work properly, return the tool, charger and battery pack, to the store where the product was originally purchased or one of our authorised MILWAUKEE® service centres facility for repairs.

 **WARNING** To reduce the risk of personal injury and damage, never immerse your tool, battery pack or charger in liquid or allow a liquid to flow inside them.

Cleaning

Clean dust and debris from charger and tool vents. Keep tool handles clean, dry and free of oil or grease. Use only mild soap and a damp cloth to clean the tool, battery pack and charger since certain cleaning agents and solvents are harmful to plastics and other insulated parts. Some of these include gasoline, turpentine, lacquer thinner, paint thinner, chlorinated cleaning solvents, ammonia and household detergents containing ammonia. Never use flammable or combustible solvents around tools.

Repairs

For repairs, return the tool, battery pack and charger to the nearest service center listed on the back cover of this operator's manual.

ACCESSORIES

 **WARNING** Always remove battery pack before changing or removing accessories. Only use accessories specifically recommended for this tool. Others may be hazardous.

For a complete listing of accessories refer to your MILWAUKEE® accessories catalogue or go online to www.milwaukeetools.com.au or www.milwaukeetools.co.nz.

To obtain a catalogue, contact the store where the product was originally purchased or one of our authorised MILWAUKEE® service centres.

WARRANTY - AUSTRALIA and NEW ZEALAND

Please refer to Australian and New Zealand warranty supplied with tool. This warranty applies only to product sold in Australia and New Zealand.

AUSTRALIA AND NEW ZEALAND MILWAUKEE® Service

MILWAUKEE® prides itself in producing a premium quality product that is Nothing But Heavy Duty®. Your satisfaction with our products is very important to us! If you encounter any problems with the operation of this tool, please contact your authorised MILWAUKEE® dealer.

For a list of MILWAUKEE® dealers, guarantee or service agents please contact MILWAUKEE® Customer Service or visit our website.

(Australia Toll Free Telephone Number 1300 361 505)

(New Zealand Toll Free Telephone Number 0800 279 624)

or visit www.milwaukeetools.com.au / www.milwaukeetools.co.nz.

Milwaukee Electric Tool Corporation

13135 West Lisbon Road, Brookfield, Wisconsin U.S.A. 53005

Milwaukee Electric Tool Corporation (Australia)

Techtronic Industries (Australia) Pty. Ltd.

Doncaster, Victoria, Australia, 3108

Milwaukee Electric Tool Corporation (New Zealand)

Techtronic Industries (New Zealand) Pty. Ltd.

Mangere, Auckland, New Zealand, 2022

Professionally made in China for Milwaukee Electric Tool Corporation